

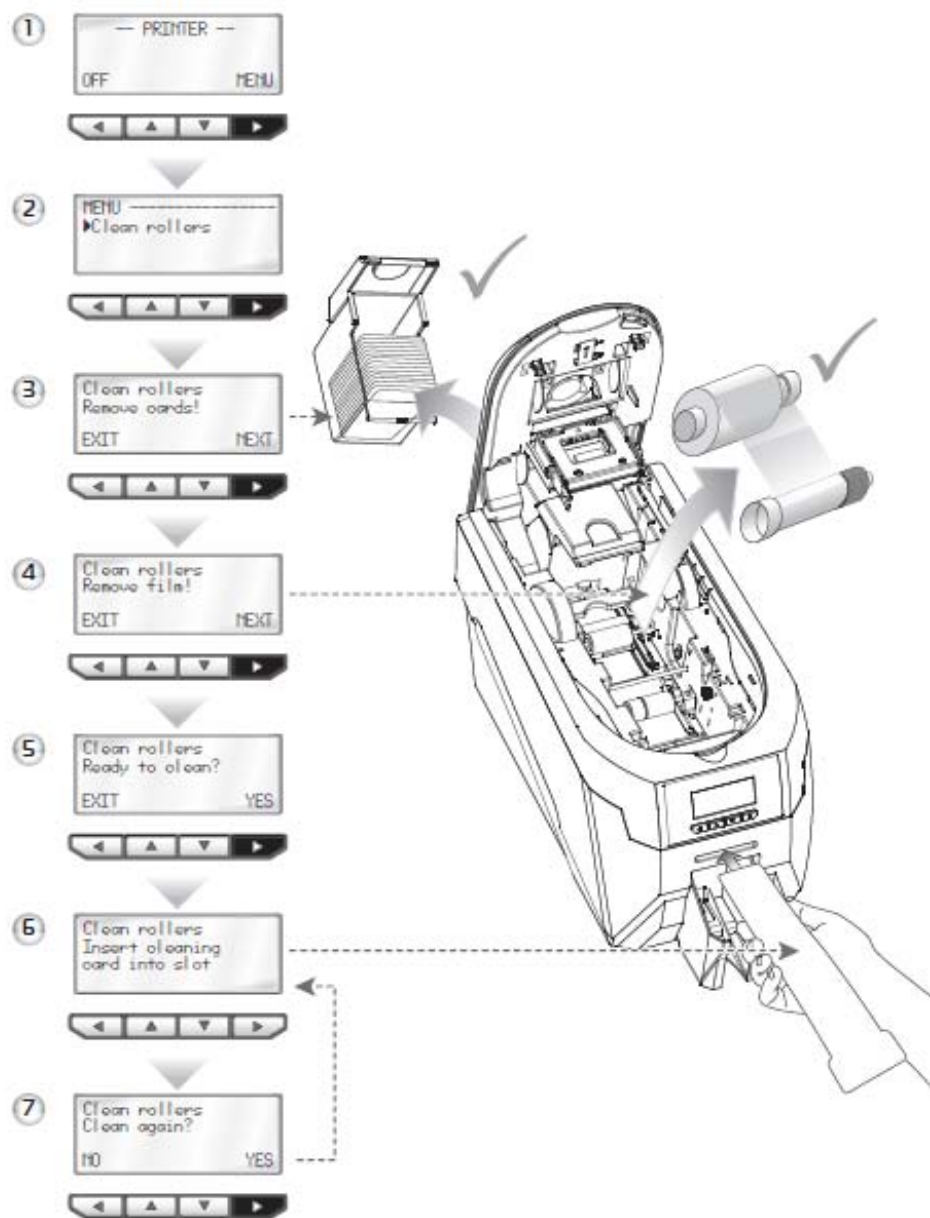
Cleaning supplies

Two cleaning cards and a cleaning roller (sleeve & bar) are bundled with each new ID Card Printer. You can also purchase additional cleaning kits, which include cleaning cards, rollers and pens:-

- Cleaning Kit (10 cards, 1 pen) - Part number - 3633-0053
- Cleaning Roller Kit (5 sleeves, 1 roller bar) - Part number - 3633-0054

Cleaning the Rio Pro printer rollers with the Cleaning Card

To prevent the PVC cards slipping on the rollers during printing, we recommend that you clean your printer using a cleaning card each time you replace the dye-film.

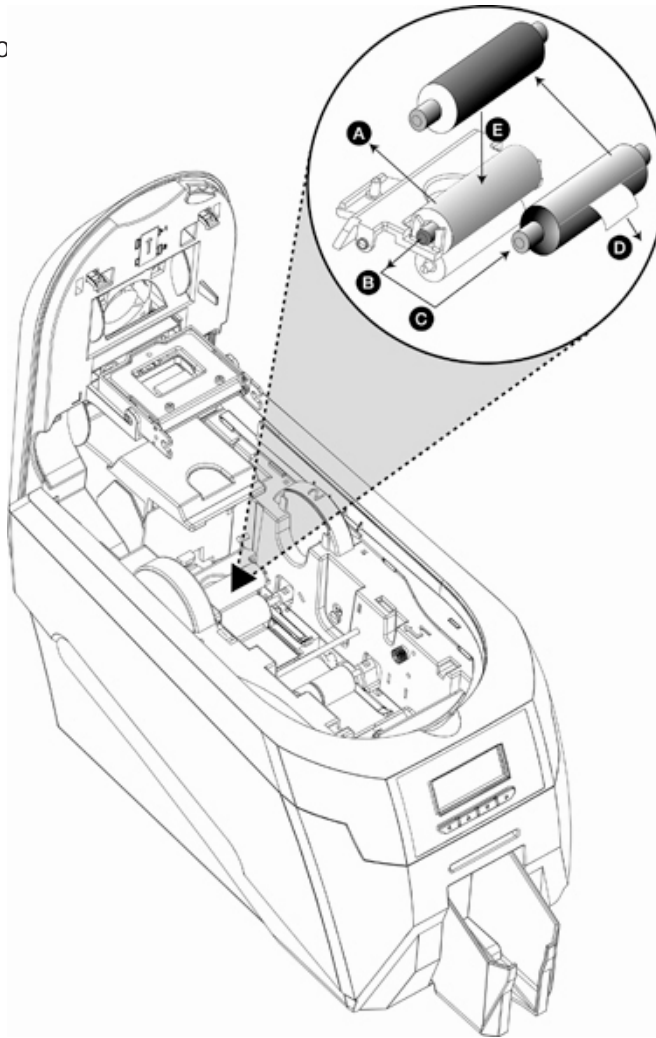


Replacing the cleaning roller

A new cleaning roller is supplied with every new dye film roll.

– *Open the printer and remove the used dye film, then:-*

- A.** Pull out the used cleaning roller.
(This is the blue roller positioned behind and below the rear dye-film spool).
- B.** Remove the metal bar from the centre of this cleaning roller.
- C.** Slide the metal bar into the new cleaning roller.
- D.** Peel off the white protective layer carefully to reveal tacky surface.
- E.** Place the new cleaning roller into



Cleaning the printhead using the Cleaning Pen

We recommend that you clean the print head each time you replace the dye-film.

- Take the cleaning pen from your cleaning kit.
- Open the printer and carefully rub the pen several times, along the complete length of the print head.

