

3

3-2 Routine printer cleaning



The print head warranty is directly linked to routine cleaning of your printer. If you do not carry out this cleaning at the required times, the print head warranty will cease to be valid.



*Recommended cleaning cycle: whenever the ribbon is changed
Mandatory cleaning cycle: when the cleaning warning is triggered
Servicing accessory: cleaning card*



Your printer is fitted with a cleaning warning system which is triggered after a certain number of cards have been inserted, depending on the model of printer that you have (see table below). You should proceed with the routine cleaning of your printer as soon as the warning is triggered. If you continue to run the printer despite the warning and if the warning light starts to flash, the print head warranty will be automatically voided owing to a failure to comply with your contractual maintenance obligations.

Printer	Cleaning required after: (warning light steady)	Number of cards remaining before warranty voided (warning light steady)	Warranty invalid after: (warning light flashing)
Tattoo2	400 cards	100 cards	500 cards
Tattoo RW	400 cards	100 cards	500 cards
Pebble4	1000 cards	200 cards	1200 cards
Dualys3	1000 cards	200 cards	1200 cards
Securion	800 cards	200 cards	1000 cards
Quantum	900 cards	700 cards	1600 cards

So for example for a Tattoo2 printer, if you insert 50 cards after the cleaning warning is triggered, you have only 50 more cards before cleaning the printer and keeping your warranty valid.



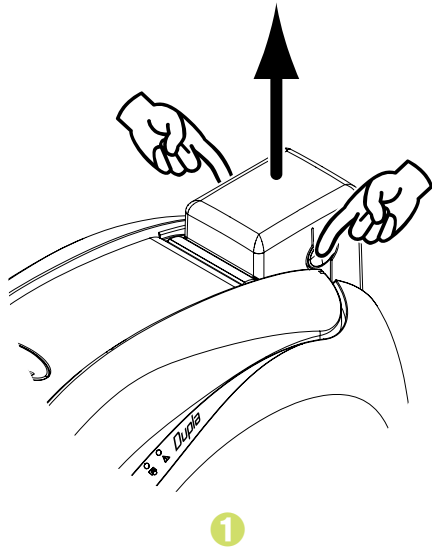
3

Follow the procedure below:

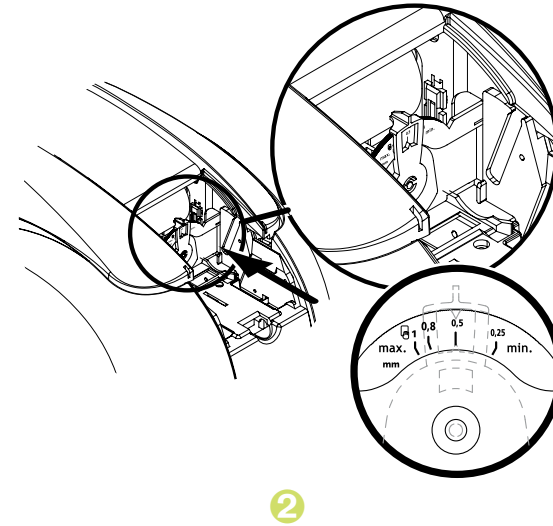
Repeatedly running the cleaning card through the printer cleans the feed rollers, the cleaning rollers and the print head.



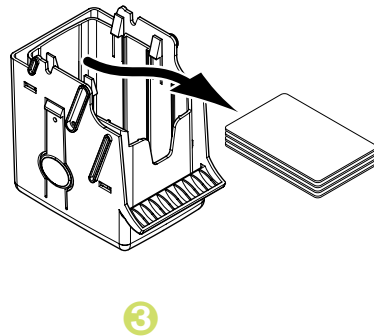
- 1 Remove the card feeder from the printer as shown.
- 2 Using the lever, set the card thickness to the MAX position.
- 3 Remove any cards found in the feeder.
- 4 Insert the cleaning card into the feeder as indicated.



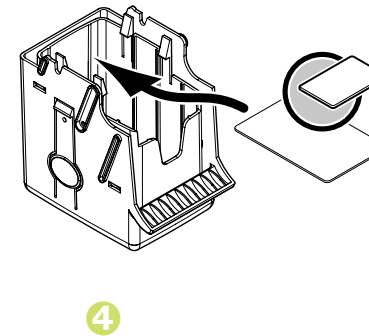
1



2



3

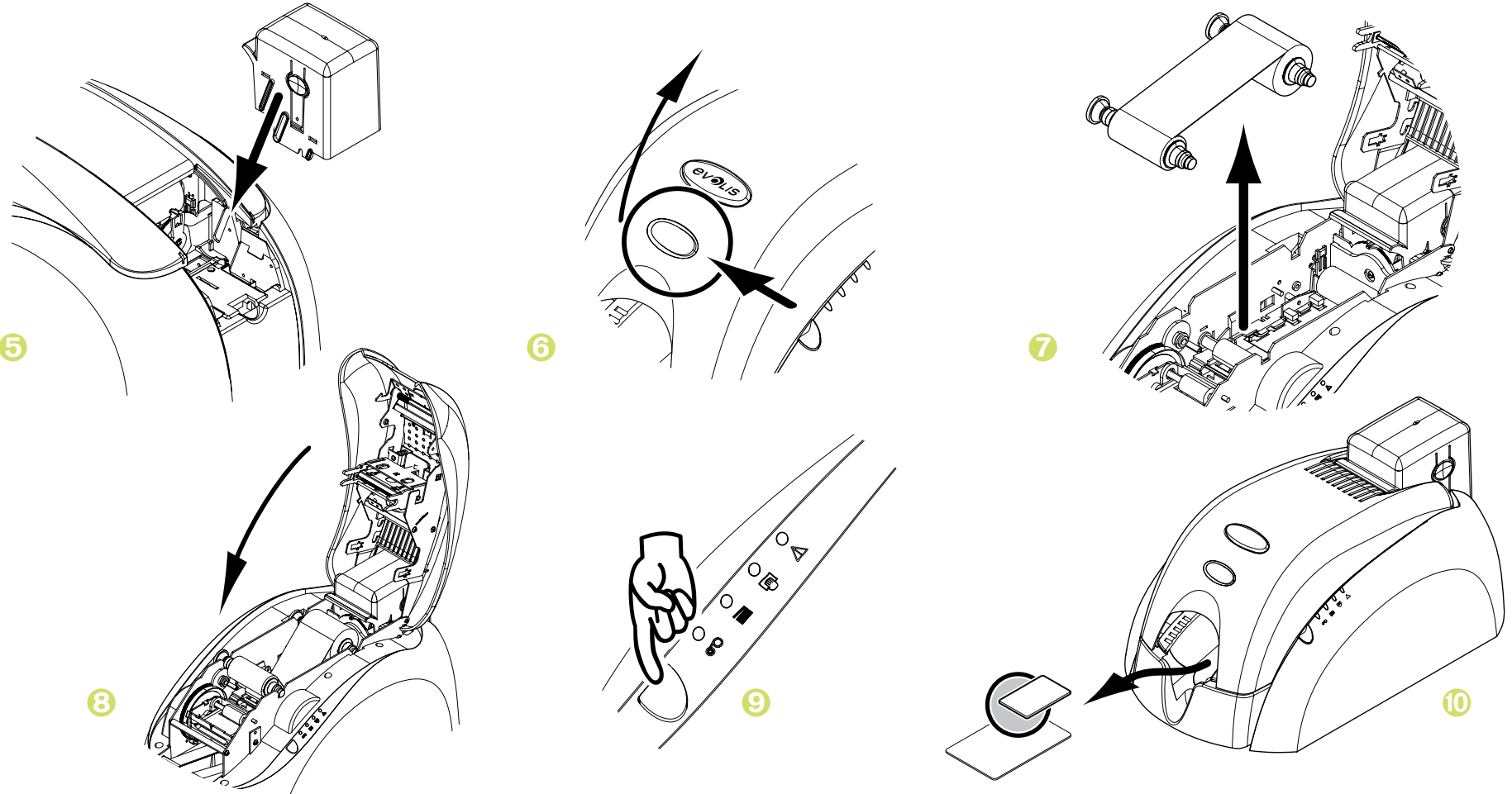


4



3

- 5 Put the feeder back into the printer, then press on the upper section of the feeder until it clicks.
- 6 Open the cover.
- 7 Remove the ribbon as shown on the diagram.
- 8 Close the cover and check it has clicked shut.
- 9 Hold down the control button on the control panel for one second. Cleaning starts.
- 10 The used cleaning card is ejected into the output hopper.



Wait for 2 minutes after cleaning before using your printer.

3

3-3 Servicing the cleaning roller(s)

In addition to routine printer cleaning, we suggest that you clean the cleaning roller(s) using the special wipes available from Evolis. The cleaning roller(s) remove(s) any dust or particles from the cards before printing.

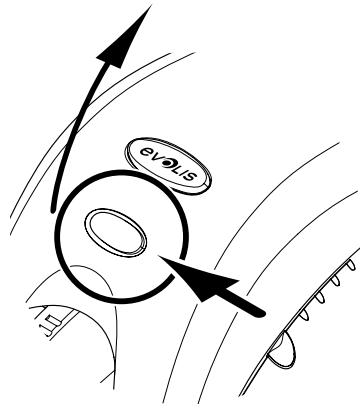


Recommended cleaning cycle: whenever the ribbon is changed
Servicing accessory: cleaning wipe

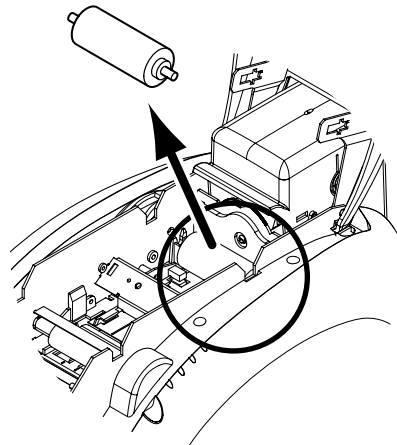
Follow the procedure below:



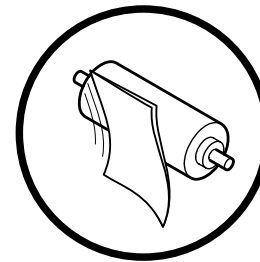
- 1 Open the cover and remove any ribbon.
- 2 Remove the cleaning roller.
- 3 Rub the wipe gently over the surface of the roller.
- 4 When it has dried, replace the cleaning roller in the printer.



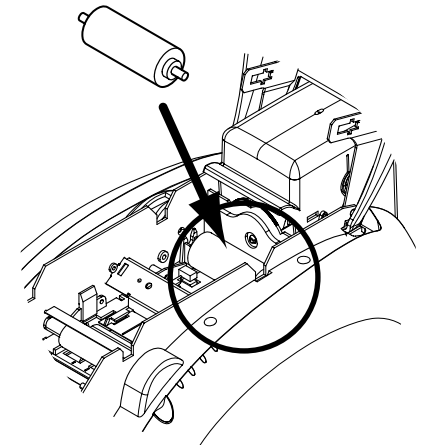
1



2



3



4



Wait for 2 minutes after cleaning before using your printer.

3

3-4 Servicing the print head



*Recommended cleaning cycle: whenever the ribbon is changed
Servicing accessory: Special cotton bud impregnated with isopropyl alcohol.*

The print head is cleaned in the course of the printer's routine servicing procedure (see previously). However, to maintain the original print quality and to absorb surplus ink on the print head, we recommend that you regularly clean the print head (whenever the ribbon is changed) using the cotton buds supplied by Evolis. You must also protect the print head and its components from any discharge of static electricity.



*Unplug the printer from its power supply before cleaning the print head.
Follow the cleaning cycles scrupulously.
Avoid any contact between the print head and any metal or sharp objects.
Avoid touching the print head directly with your fingers, as this could affect print quality or permanently damage the print head.*

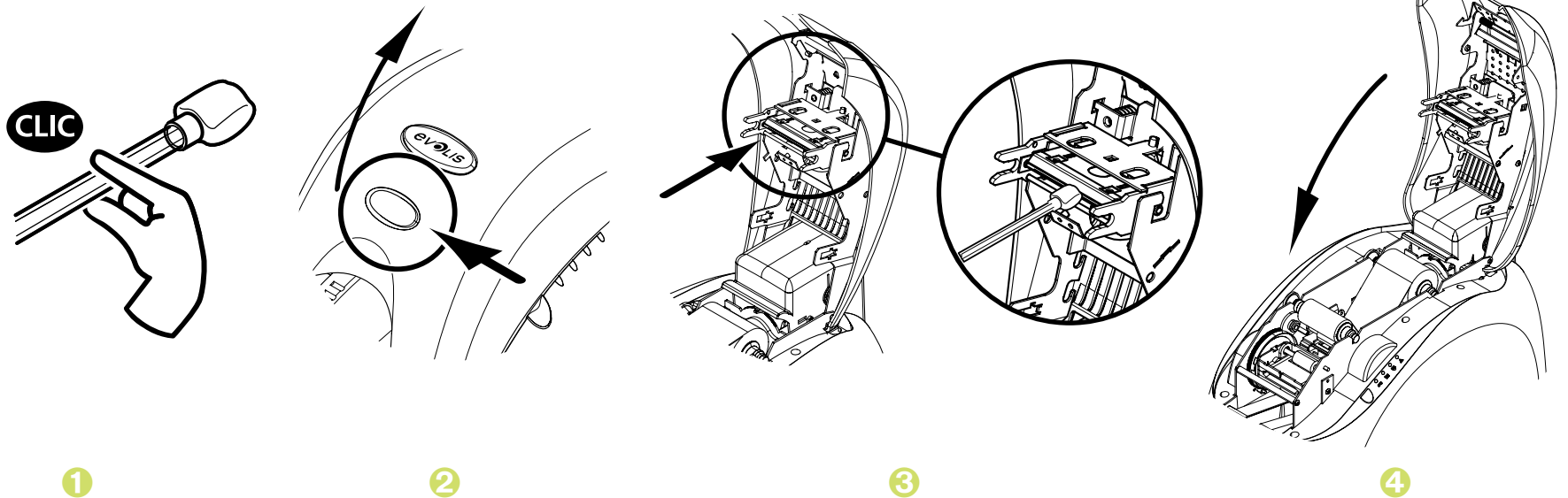


3

Follow the procedure below:



- 1 Take an Evolis cotton bud and press the middle of the tube until the end of the cotton bud is impregnated with alcohol.
- 2 Open the cover and find the print head.
- 3 Gently rub the cotton bud from left to right along the print head for a few seconds.
- 4 Close the cover.



Wait for 2 minutes after cleaning before using your printer.

Phone: (800) 860-9111
Fax: (440) 306-9001
e-mail: sales@IDentiphoto.com

IDentiphoto[®]
Specialists in IDentification

1810 Joseph Lloyd Pkwy.
Willoughby, OH 44094
web: www.IDentiphoto.com