

## **Cleaning**

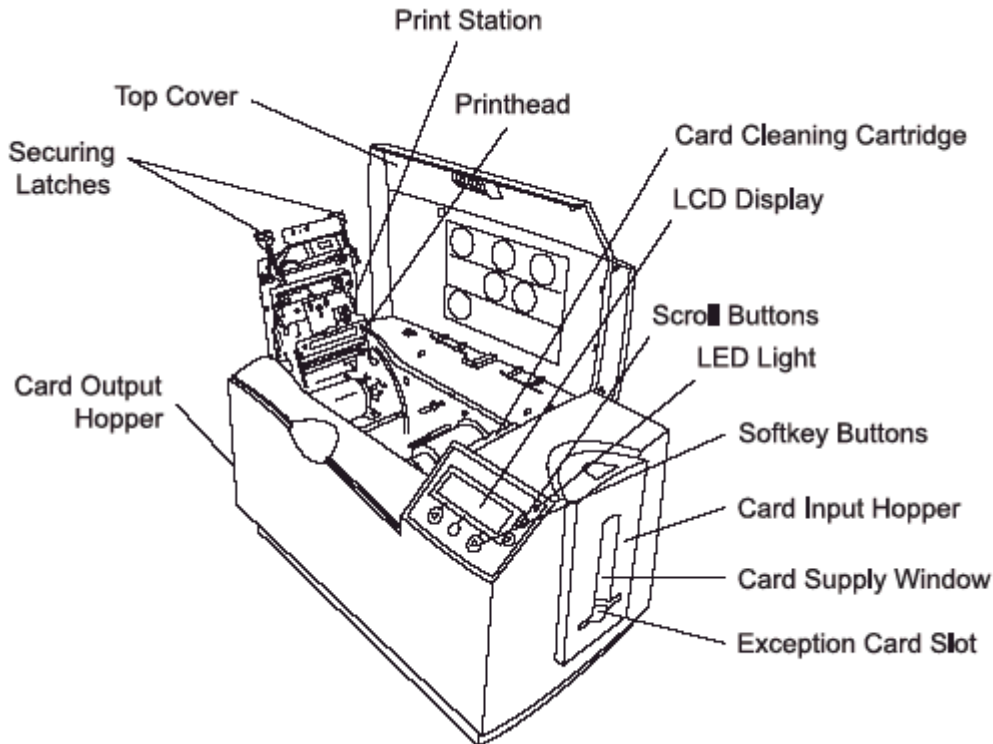
### **Cleaning Kit Instructions - DTC550 Printer**

#### **Introduction**

The special cleaning supplies contained in this Cleaning Kit includes recommended cleaning procedures for the DTC550 printer.

#### **Supplies Included**

- Two (2) Printhead Cleaning Pens pre-moistened with 99.99% isopropyl alcohol for cleaning the Printhead.
- Ten (10) Cleaning Cards with an adhesive backing for cleaning the Printer's Platen and Card Feed Rollers.
- Ten (10) Cleaning Pads pre-moistened with 99.9% isopropyl alcohol for cleaning the Printer's interior and exterior.
- Ten (10) Cleaning Roller replacement loops for replacement of the Cleaning Cartridge tape.



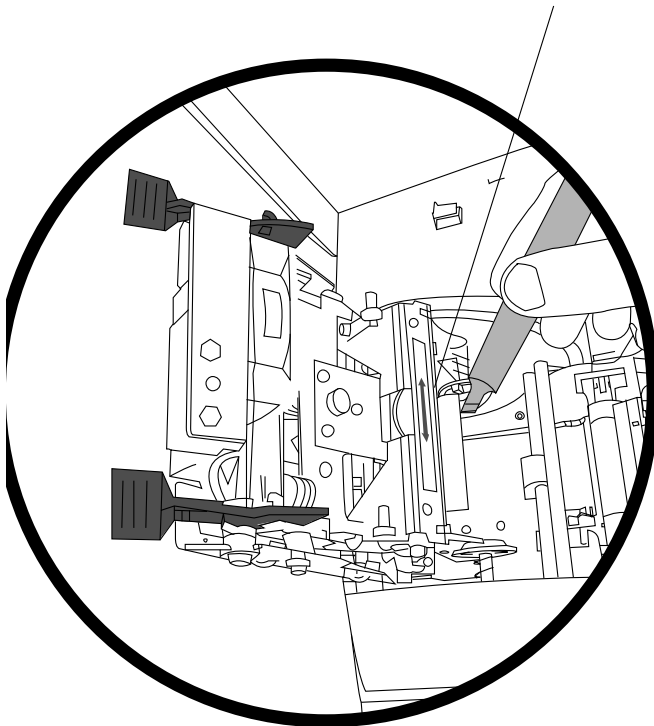
## Cleaning the Printhead (D855055)



**Caution:** Perform this procedure during every Ribbon change or after every **1,000 prints** to maintain consistent print quality. Perform this procedure for streaks on the card where the color was not transferred correctly.

Step	Procedure
1	Open the Printer's Top Cover and Print Station.
2	Using a Printhead Cleaning Pen from the Printer Cleaning Kit, firmly wipe back and forth across the surface of the Printhead.
3	Once the Printhead is completely dry, close the Printer.
4	If a streak persists, replace the Printhead Assembly (D855055).

Printhead

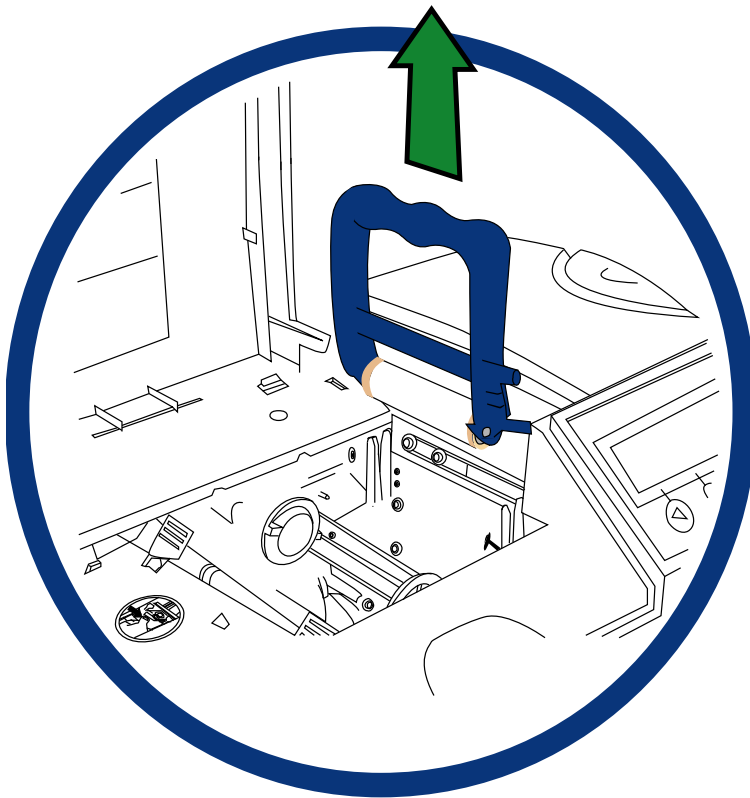


## Replacing the Card Cleaning Roller



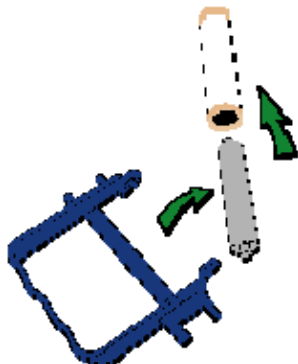
**Caution:** Replace the Card Cleaning Roller with every Ribbon change, depending on the cleanliness of the card stock or the environment in which the Printer is located.

Step	Procedure
1	Open the Printer's Top Cover.
2	Pull the Cleaning Cartridge out of the Printer, as shown below.



**Replacing the Card Cleaning Roller (continued)**

Steps	Procedure
3	Remove the gray Roller from the Card Cleaning Cartridge, as shown below.
4	Remove the old cleaning roller from the gray Roller, as shown below.

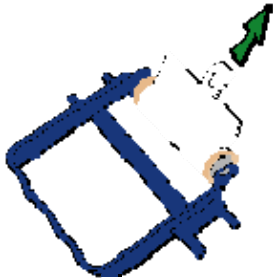


Step	Procedure
5	Install the new Cleaning Roller onto the gray Roller, as shown below.

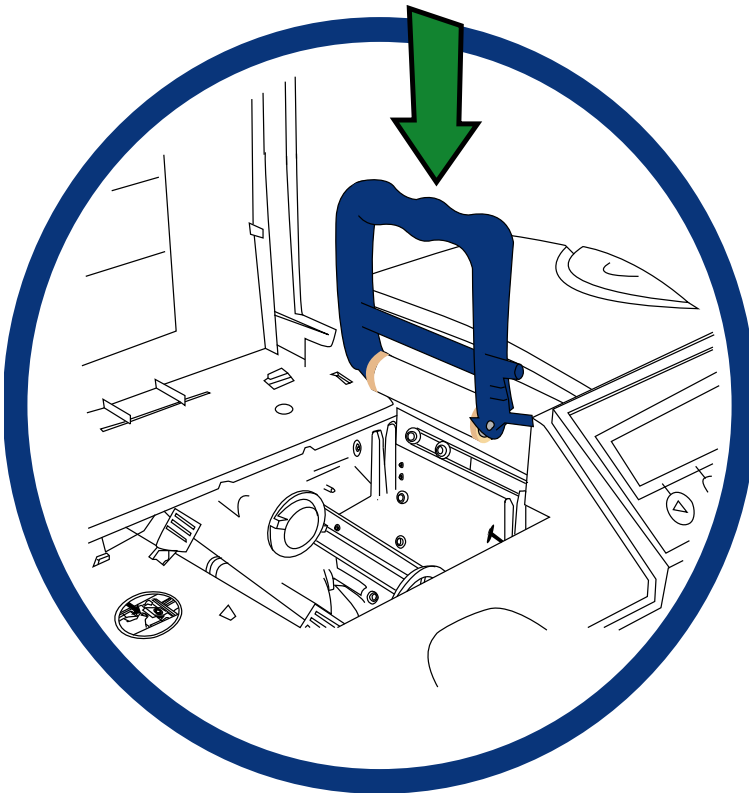


**Replacing the Card Cleaning Roller (continued)**


Step	Procedure
5	Remove the cover sheet to the Cleaning Roller, as shown below.

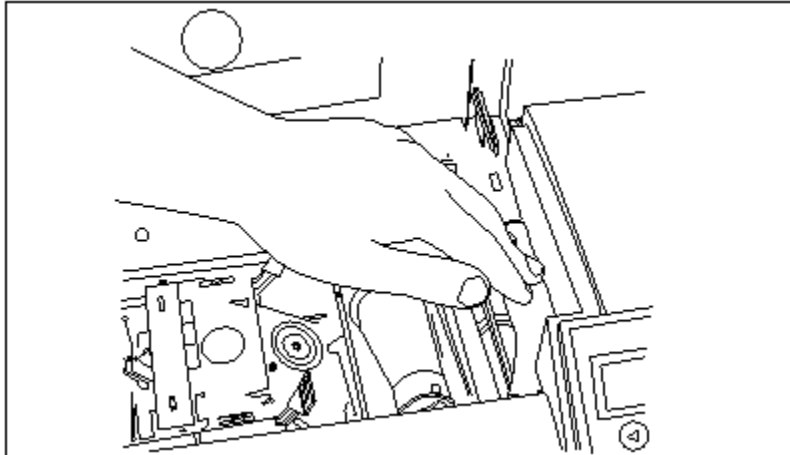


Step	Procedure
6	Insert the Cleaning Cartridge back into the Printer.



### Replacing the Card Cleaning Roller (continued)

Step	Procedure
7	 <b>Caution:</b> Be sure to push down on the cartridge until it clicks into place.




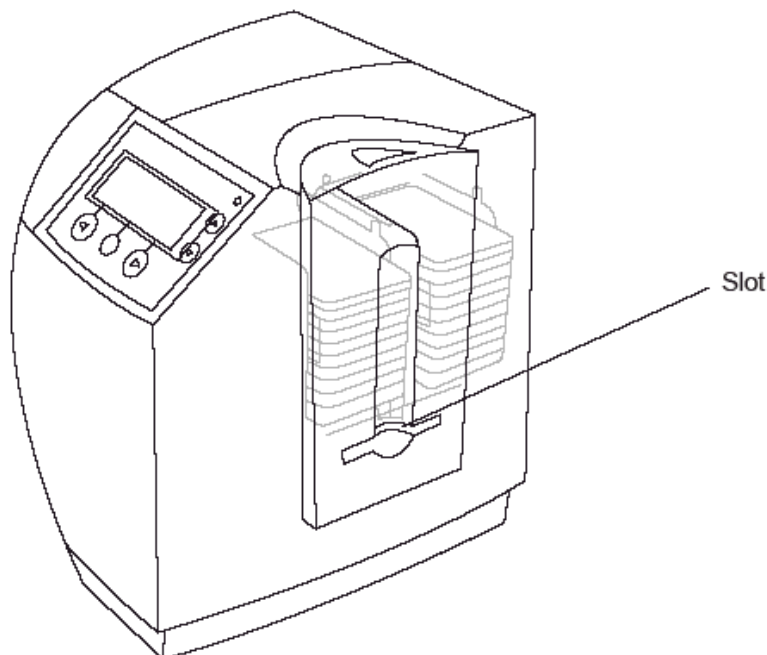
## Cleaning the Platen and Card Feed Rollers



**Caution:** Clean the black, rubber Platen Roller and all of the gray (or black), rubber Card Feed Rollers within the Printer approximately every **2,000-3,000 prints**, depending on the cleanliness of the card stock or the environment in which the Printer is located. Clean if the Rollers appear dirty to prevent card jams and maintain the best print quality.

With the Printer power ON, use the following steps to clean the Rollers:

Step	Procedure
1	Open the Printer's Top Cover and Print Station.  <b>Caution:</b> Do not remove blank cards, Print Ribbon or the Card Cleaning Cartridge from the Printer for this procedure.
2	Get a Cleaning Card from the Printer Cleaning Kit and remove its adhesive backing paper.
3	Make sure the Card Hopper Door is closed. From the Control Panel, select <b>Menu &gt; Clean Printer &gt; Clean</b> . Insert the Cleaning Card into the Exception Card Slot until the card is fed into the Printer, as shown below. You can use the Printer Driver or the LCD to begin this automated routine. See the next step.

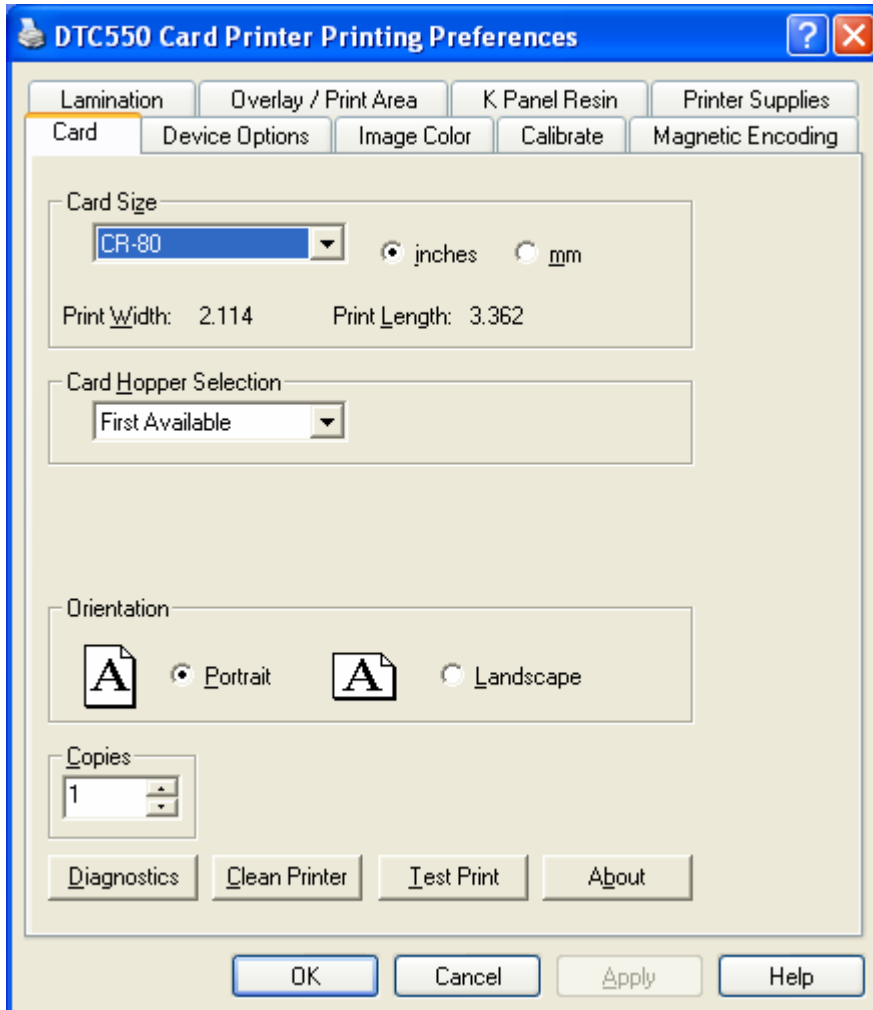


**Cleaning the Platen and Card Feed Rollers (continued)**

<b>Step</b>	<b>Procedure</b>
4	Open the Printer Control Panel from the Computer. If using Windows 98SE/Me, right click on the DTC550 Card Printer icon and select Properties. If using Windows 2000/XP, right click on the DTC550 Card Printer and select Printing Preferences.
5	Select the Card tab in the DTC550 printer driver, as shown in Display A (below). Click on the <b>Clean Printer</b> button, as shown in Display A (below).
6	Click on the <b>Clean</b> button, as shown in Display B (below).
7	If the Rollers require more cleaning, continue to the next step.

**Cleaning the Platen and Card Feed Rollers (continued)**

**Display A - Card tab (DTC550 printer driver)**



## Cleaning the Platen and Card Feed Rollers (continued)

### Display B - Clean Printer Utility

**DTC550 Card Printer - Clean Printer Utility** X

Instructions:

Open the Printer's Top Cover and the Printhead Arm Assembly.

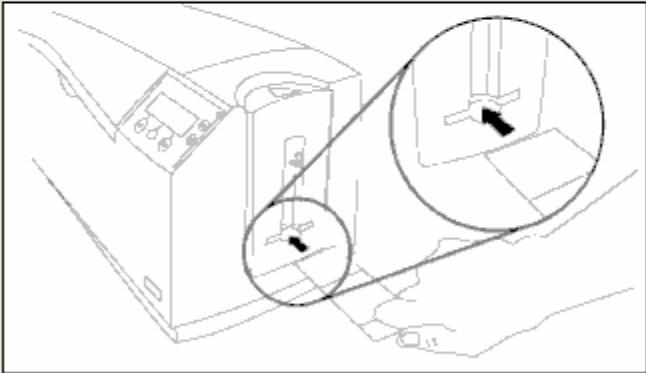
Remove the paper backing from both sides of the Cleaning Card.

Insert the Cleaning Card into the Card Hopper's Exception Feed Slot. See the diagram (below).

Press the Clean button below.

Adjust the Cleaning Card (as needed) as it feeds into the Printer.

Once the Cleaning Card has exited the Printer, close the Printhead Arm Assembly and the Top Cover.



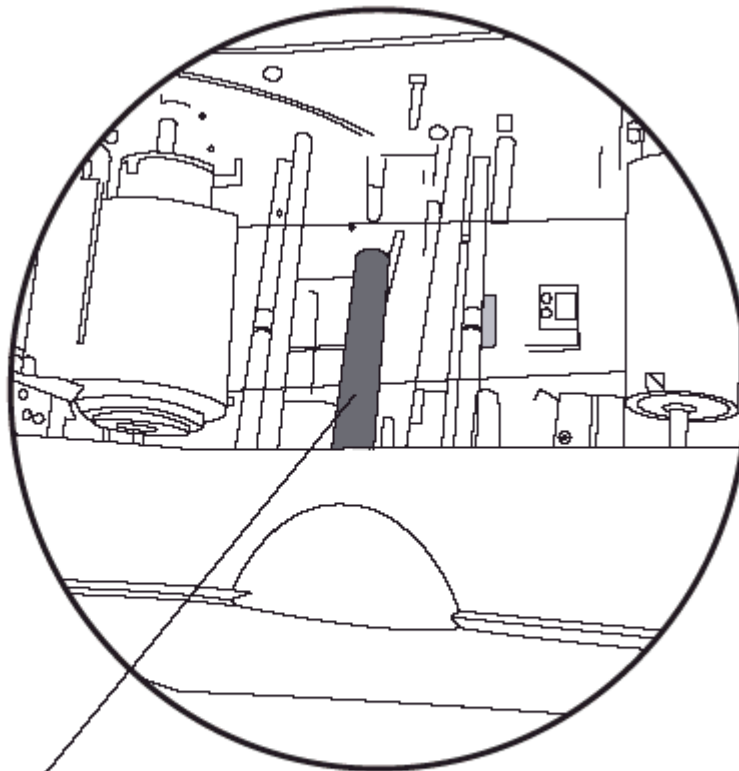
Enable Reminder

Fargo Cleaning Kit PN : 086003  
Fargo Cleaning Card PN : 085974

Note: The Cleaning routine will begin after all current print jobs have completed.

**Cleaning the Platen and Card Feed Rollers (continued)**

Step	Procedure
8	Open the Printer's Top Cover and Print Station. ( <b>Note:</b> You do not need to remove the blank cards, the Print Ribbon or the Card Cleaning Cartridge from the Printer for this procedure.)
9	Remove the Print Ribbon.
10	Locate the Platen Roller.
11	Use a Cleaning Pad from the Printer Cleaning Kit to wipe the roller clean. Press the <b>FORWARD</b> and <b>BACK</b> buttons to move the Platen Roller back and forth while cleaning.
12	After the Platen Roller is clean and completely dry, replace the printing supplies and close the Printer.

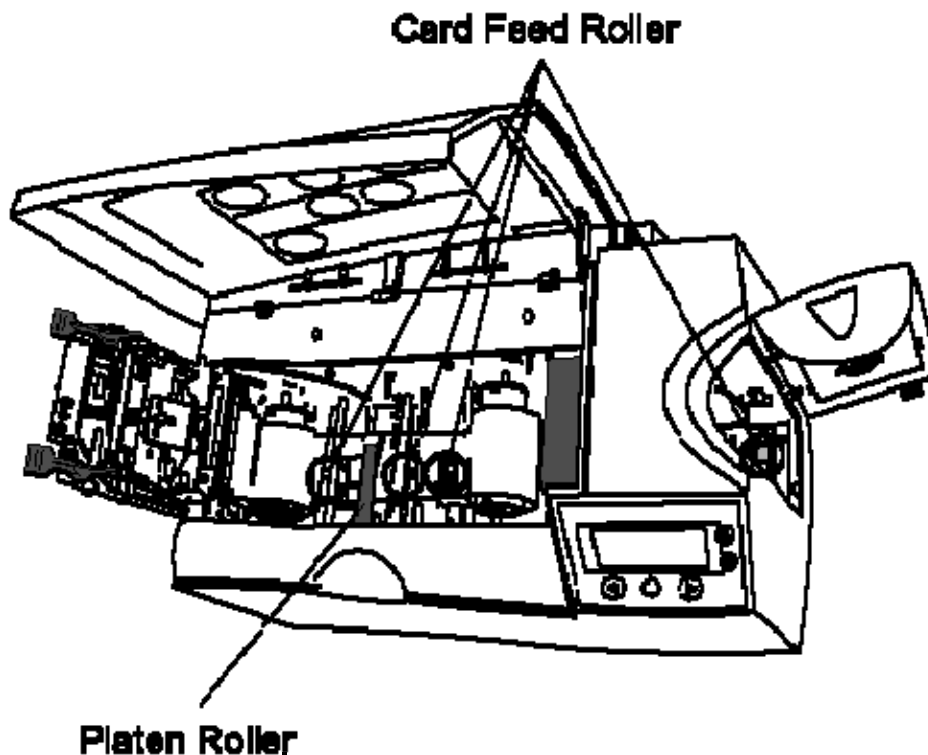


Platen Roller

## Cleaning the Platen

The Printer's Platen Roller should be cleaned approximately every 250 prints. (**Note:** This helps prevent jams and maintain the best print quality. Perform this procedure if the roller is visibly dirty.)

Step	Procedure
1	Leave the power ON and open the Printer's Top cover and Print Station.
2	Remove the print ribbon.
3	Locate the Platen Roller.
4	Use a <b>Cleaning Pad</b> from the Printer Cleaning Kit to wipe the roller clean. Press the <b>FORWARD</b> and <b>BACK</b> buttons to move the roller back and forth while cleaning.
5	After the roller is clean and completely dry, replace the printing supplies and close the Printer.



## Cleaning the Printer's Exterior

The Printer has a durable casing that should retain its luster and appearance for many years. Clean it only with a Cleaning Pad from the Printer Cleaning Kit. (**Note:** See the next section for a photo of Printer's exterior.)




**Caution:** Do not use cleaning solvents of any kind or spray the cabinet with a cleaner!

## Cleaning the Printer's Interior



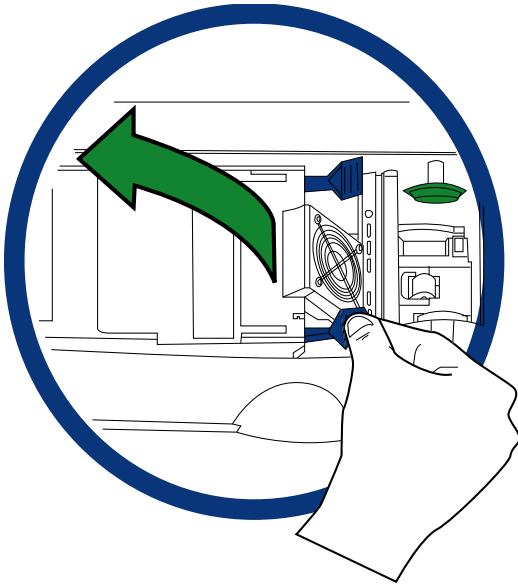
**Caution:** The Printer, dust and other particles can accumulate inside the Printer. These particles are attracted to the Print Ribbon or blank card by static produced during printing and can contaminate the printed card causing spots or speckles to appear.

Periodically, use the following procedure to remove dust and other contaminants:

Step	Procedure
1	Open the Printer's Top Cover and Print Station.
2	Remove the Print Ribbon from the Printer.
3	Use a Cleaning Pad from the Printer Cleaning Kit to wipe out all visible areas inside the Printer. Remove any debris within its interior.   <b>Caution:</b> Be extremely careful not to let any alcohol drip inside the Printer.
4	Re-install the printing supplies and close the Printer.

### Cleaning the Printer's Interior (continued)

This is a display for the Print Station (how to open it).



This is a display for the Print Station (how to close it).

