



Section 6: Cleaning

The Card Printer is built to require a minimum amount of maintenance. Nevertheless, there are a few procedures you can perform on a regular basis or as needed to ensure the best possible performance

Safety Messages (review carefully)

Symbol	Critical Instructions for Safety purposes
<p>Danger:</p> 	<p>Failure to follow these installation guidelines can result in death or serious injury.</p> <p>Information that raises potential safety issues is indicated by a warning symbol (as shown to the left).</p> <ul style="list-style-type: none"> • To prevent personal injury, refer to the following safety messages before performing an operation preceded by this symbol. • To prevent personal injury, always remove the power cord prior to performing repair procedures, unless otherwise specified. • To prevent personal injury, make sure only qualified personnel perform these procedures.
<p>Caution:</p> 	<p>This device is electrostatically sensitive. It may be damaged if exposed to static electricity discharges.</p> <p>Information that raises potential electrostatic safety issues is indicated by a warning symbol (as shown to the left).</p> <ul style="list-style-type: none"> • To prevent equipment or media damage, refer to the following safety messages before performing an operation preceded by this symbol. • To prevent equipment or media damage, observe all established Electrostatic Discharge (ESD) procedures while handling cables in or near the Circuit Board and Printhead Assemblies. • To prevent equipment or media damage, always wear an appropriate personal grounding device (e.g., a high quality wrist strap grounded to avoid potential damage). • To prevent equipment or media damage, always remove the Ribbon and Cards from the Printer before making any repairs, unless otherwise specified. • To prevent equipment or media damage, take jewelry off of fingers and hands, as well as thoroughly clean hands to remove oil and debris before working on the Printer.

Persona C30 Card Printer/Encoders Cleaning Kit (Part Number 085976)

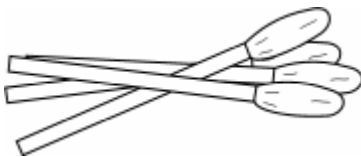


Caution: As with any electronic device, internal components of the Printer, such as the Printhead, may be damaged if exposed to static electrical discharges. To avoid potential damage, always wear an appropriate personal grounding device, such as a wrist strap (with integral resistor) connected to an ESD ground.

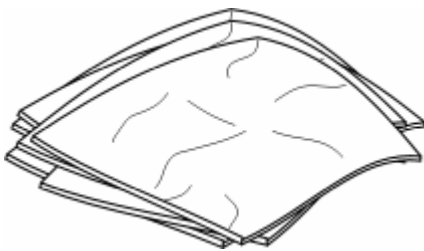
Supplies (included with the Cleaning Kit)

This Cleaning Kit provides you with the specialized cleaning supplies and the required cleaning procedures for you to maintain your Fargo Persona C30 Card Printer/Encoders. The following cleaning procedures will require less than ten minutes. For more thorough cleaning instructions, please refer to the Cleaning Section in the appropriate User Guide.

Four (4) Printhead Cleaning Swabs are pre-moistened with 99.99% isopropyl alcohol for cleaning your Printer's Printhead.



Ten (10) Gauze Pads are pre-moistened with 99.99% isopropyl alcohol for cleaning your Printer's interior and exterior.



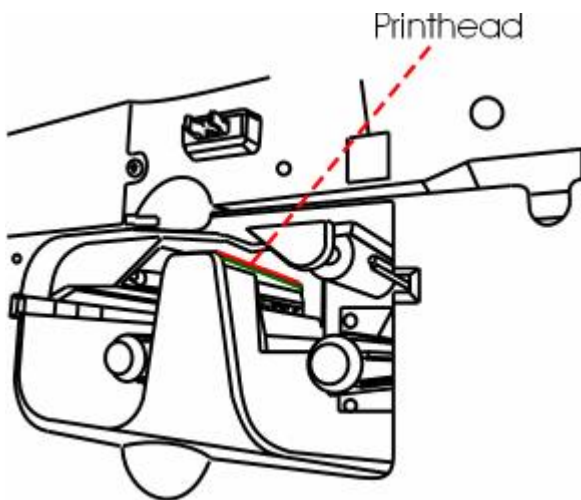
Ten (10) Cleaning Cards are provided with adhesive backing for cleaning your Printer's Platen and Card Feed Rollers.



Cleaning the Printhead

Perform this procedure approximately every **1000 prints** to maintain a consistent print quality.

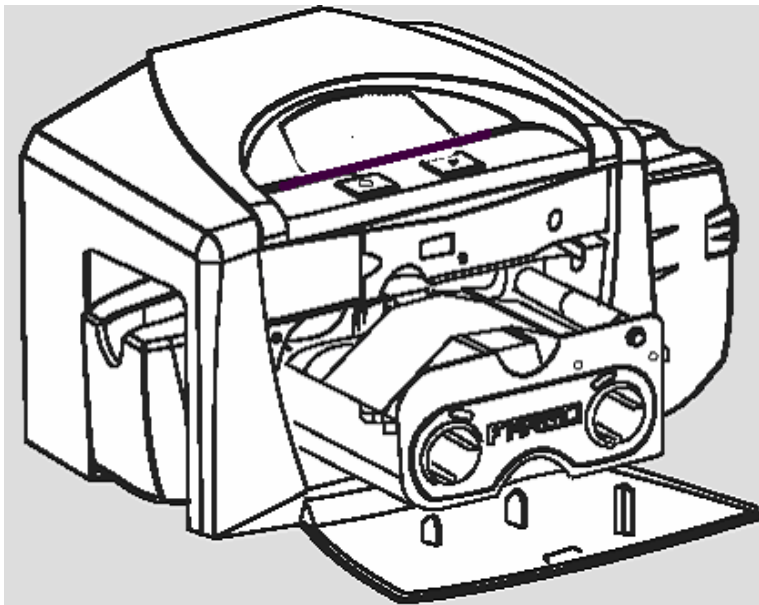
Step	Procedure
1	Open the Printer's Front Cover.
2	Remove the Print Ribbon.
3	Squeeze the Printhead Cleaning Swab to saturate the tip of the swab with alcohol.
4	Use the Printhead Cleaning Swab to gently rub back and forth over the entire length of the Printhead (3 to 4 times).
5	Once the Printhead is completely dry, replace the Ribbon and close the Front Cover.



Cleaning the Platen and the Card Feed Rollers

Perform this procedure approximately every **1000 prints** to maintain a consistent print quality. (**Note:** The Card Feed Rollers move the card throughout the print process. Rollers should be kept clean to prevent card jams and card contamination. This cleaning process will ultimately lead to better print quality and extended Printhead life.)

Step	Procedure
1	Open the Printer's Front Cover and remove the Print Ribbon.



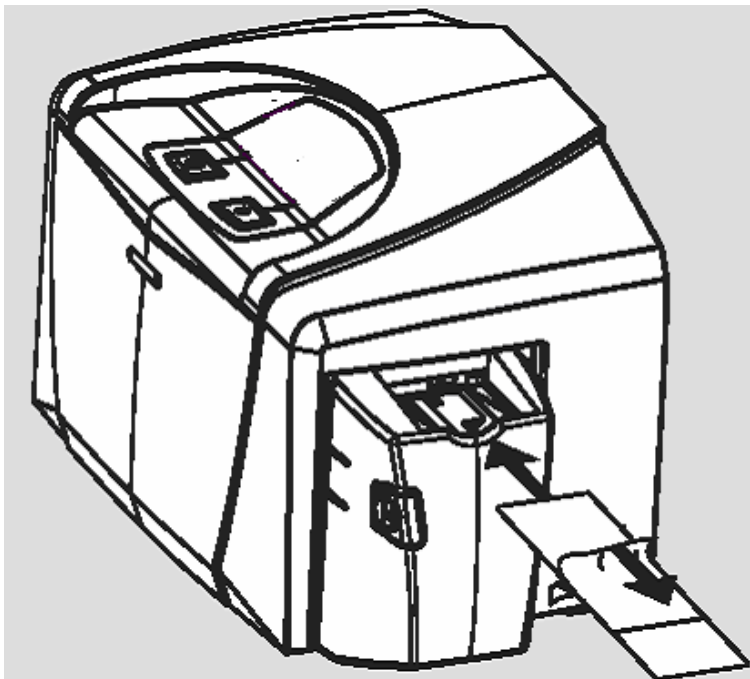
Cleaning the Platen and the Card Feed Rollers (continued)

Step	Procedure
2	Remove all the cards from the Printer's Input Hopper.
3	Use the Cleaning Card from the Printer's and remove the adhesive backing from both sides of the card. (Note: If your Printer has a Magnetic Encoder installed, be sure to leave the small Liner Strip on top of the Cleaning Card in place. This small strip is needed to protect the Magnetic Head from the adhesives on the Cleaning Card .)



Cleaning the Platen and the Card Feed Rollers (continued)

Step	Procedure
4	Insert the Cleaning Card into the Single Feed Card Slot until the card stops. (Note: If your Printer is equipped with a Magnetic Encoder, you must insert the Cleaning Card with the printed side up and with the small Liner Strip towards the front of the Printer.)



Cleaning the Platen and the Card Feed Rollers (continued)

Step	Procedure
5	From your computer, open the Printer Driver and select either Properties (if you are using Windows 98SE/Me) or Printing Preferences (if you are using Windows 2000/XP).
6	Click on the Clean Printer button.
7	Click on the Clean button. (Note: The Printer will pull in the Cleaning Card . The Printer will then perform an automated cleaning procedure. This procedure is designed to thoroughly clean the Platen and the Card Feed Rollers inside the Printer.)



Cleaning the Printer's Interior

Periodically, use a **Cleaning Pad** from the Printer's **Cleaning Kit** to remove dust and other contaminants from inside the Printer. (**Note:** Dust and other particles may accumulate inside the Printer with continued usage. This can cause spots or specks to appear on the printed cards.)

Cleaning the Printer's Exterior

Clean it only with a **Cleaning Pad** from the Printer's **Cleaning Kit**. (**Note:** The Printer has a durable casing that should retain its luster and appearance for many years.)